

THERMOSTATIC STEAM TRAPS AND AIR VENTS TSS22

DESCRIPTION

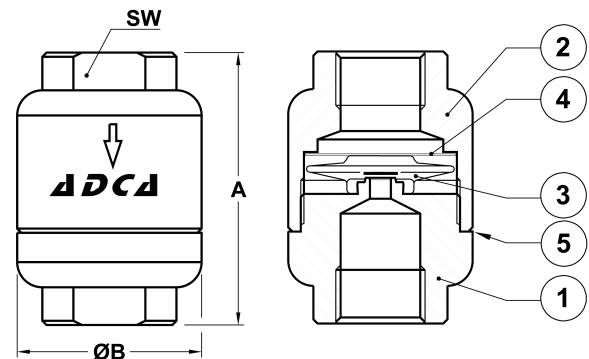
The TSS22 series of balanced pressure thermostatic steam traps and air vents are specifically designed for use on process equipment such as sterilizers and other autoclaves, kettle cookers, food, chemical and laundry equipment.

Their small size makes them ideal specially when a fully stainless steel steam trap is required.

MAIN FEATURES

- Modulating discharge.
- Discharges condensate close to steam temperature.
- Thermostats for different sub cooling (5 °C to 30 °C).
- Excellent air discharge.
- Operates on moderate superheated steam.
- Simple and compact design.

- OPTIONS:** Welded body.
- USE:** Saturated steam.
- AVAILABLE MODELS:** TSS22, TSS22H – stainless steel.
- SIZES:** 1/4" to 1".
- CONNECTIONS:** Female threaded ISO 7 Rp or NPT.
- INSTALLATION:** Horizontal or vertical installation.
See IMI – Installation and maintenance instructions.



BODY LIMITING CONDITIONS	
THREADED PN 40 ALLOWABLE PRESSURE	RELATED TEMPERATURE
34,4 bar	100 °C
30,8 bar	150 °C
28 bar	200 °C
26 bar	250 °C

DIMENSIONS (mm)					
SIZE	A	B	SW	WGT. (kg)	
1/4"	65	44	27	0,5	
3/8"	65	44	27	0,5	
1/2"	65	44	27	0,45	
3/4"	65	44	36	0,47	
1"	65	44	40	0,4	

MATERIALS		
POS. N°	DESIGNATION	MATERIAL
1	Body	AISI 304 / 1.4301
2	Cover	AISI 304 / 1.4301
3	* Thermostatic element	Stainless steel
4	* Strainer screen	AISI 304 / 1.4301
5	* Gasket	St. steel / Graphite

PMO – Max. operating pressure: 22 bar;
TMO – Max. operating temperature: 250 °C.

* Available spare parts.

FLOW RATE CAPACITY (kg/h)																
MODEL	SIZE	DIFFERENTIAL PRESSURE (bar)														
		0,2	0,3	0,5	1	1,5	2	3	4	6	8	10	13	15	20	22
TSS22	1/4" to 1"	45	55	70	95	125	135	180	200	270	315	330	360	370	405	415
TSS22H	1/2" to 1"	70	120	140	255	330	385	455	510	600	670	700	720	750	775	795

Capacities shown refer to condensate at 10 °C below saturated steam temperature (standard type S thermostat).
Thermostats for 5 °C (type H) and 30 °C (type L) also available. Capacities for cold condensate discharge at 20 °C are two to three times greater.